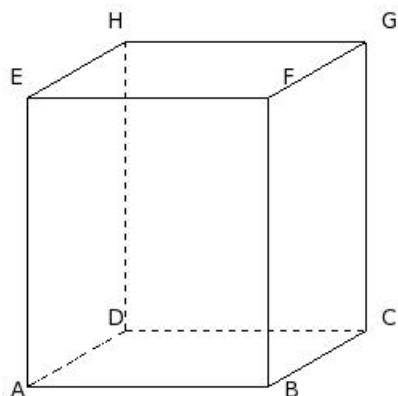


EduSahara™ Learning Center Assignment

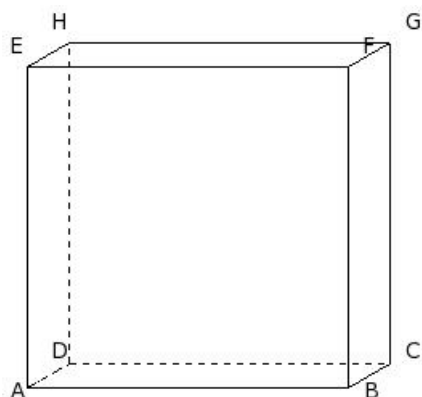
Grade : Class VI, ICSE
Chapter : Volume and Surface Area of Solids
Name : Cuboid
Licensed To : Teachers and Students for non-commercial use

1. If the length, breadth and height of a cuboid are 15.00 cm, 14.00 cm and 18.00 cm respectively, its volume is



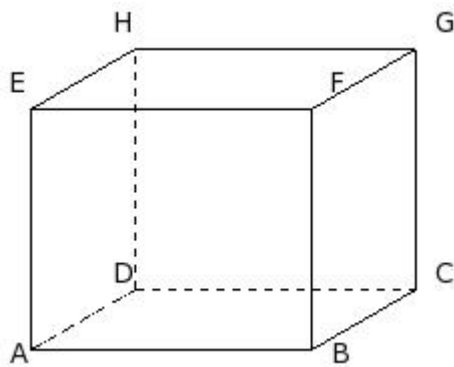
- (i) 3930.00 cu.cm (ii) 3840.00 cu.cm (iii) 3610.00 cu.cm (iv) 3780.00 cu.cm (v) 3500.00 cu.cm

2. If the length, breadth and L.S.A of a cuboid are 20.00 cm, 6.00 cm and 1040.00 sq.cm respectively, its volume is



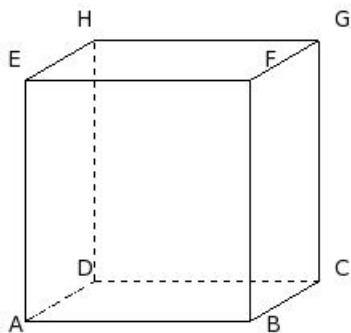
- (i) 2470.00 cu.cm (ii) 2400.00 cu.cm (iii) 2540.00 cu.cm (iv) 2160.00 cu.cm (v) 2370.00 cu.cm

3. If the length, breadth and T.S.A of a cuboid are 14.00 cm, 12.00 cm and 960.00 sq.cm respectively, its volume is



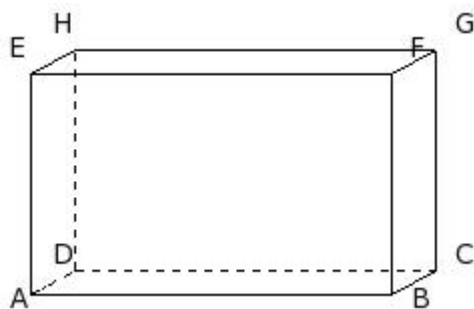
- (i) 2086.00 cu.cm (ii) 2296.00 cu.cm (iii) 2016.00 cu.cm (iv) 1866.00 cu.cm (v) 1876.00 cu.cm

4. If the length, height and L.S.A of a cuboid are 14.00 cm, 15.00 cm and 720.00 sq.cm respectively, its volume is



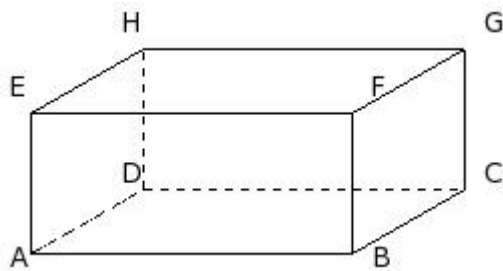
- (i) 1980.00 cu.cm (ii) 2350.00 cu.cm (iii) 2100.00 cu.cm (iv) 1930.00 cu.cm (v) 2240.00 cu.cm

5. If the length, height and T.S.A of a cuboid are 18.00 cm, 11.00 cm and 686.00 sq.cm respectively, its volume is



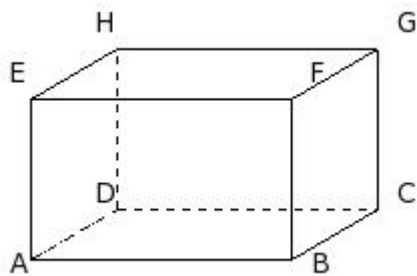
- (i) 1014.00 cu.cm (ii) 1006.00 cu.cm (iii) 990.00 cu.cm (iv) 962.00 cu.cm (v) 977.00 cu.cm

6. If the breadth, height and L.S.A of a cuboid are 13.00 cm, 7.00 cm and 406.00 sq.cm respectively, its volume is



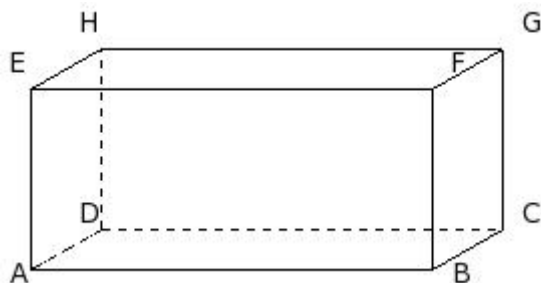
- (i) 1596.00 cu.cm (ii) 1676.00 cu.cm (iii) 1306.00 cu.cm (iv) 1286.00 cu.cm (v) 1456.00 cu.cm

7. If the breadth, height and T.S.A of a cuboid are 10.00 cm, 8.00 cm and 628.00 sq.cm respectively, its volume is



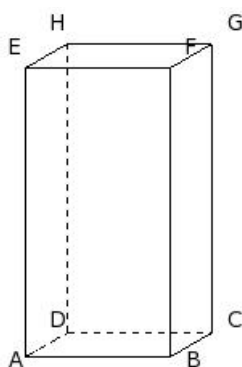
- (i) 1210.00 cu.cm (ii) 1180.00 cu.cm (iii) 800.00 cu.cm (iv) 890.00 cu.cm (v) 1040.00 cu.cm

8. If the length, breadth and height of a cuboid are 20.00 cm, 8.00 cm and 9.00 cm respectively, its T.S.A is



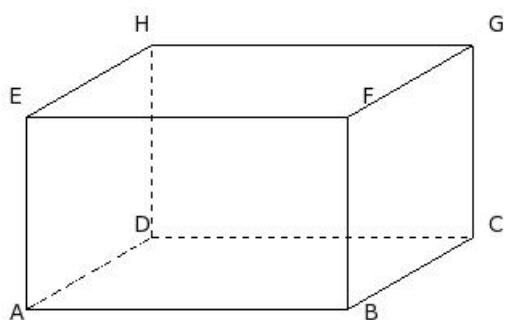
- (i) 847.00 sq.cm (ii) 824.00 sq.cm (iii) 799.00 sq.cm (iv) 822.00 sq.cm (v) 838.00 sq.cm

9. If the length, breadth and L.S.A of a cuboid are 9.00 cm, 6.00 cm and 540.00 sq.cm respectively, its T.S.A is



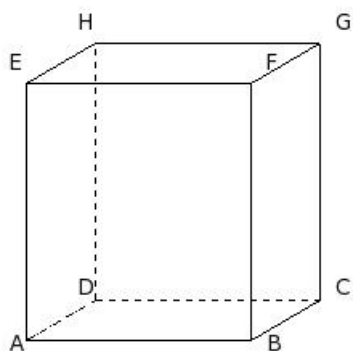
- (i) 661.00 sq.cm (ii) 648.00 sq.cm (iii) 660.00 sq.cm (iv) 634.00 sq.cm (v) 622.00 sq.cm

10. If the length, breadth and T.S.A of a cuboid are 20.00 cm, 18.00 cm and 1632.00 sq.cm respectively, its L.S.A is



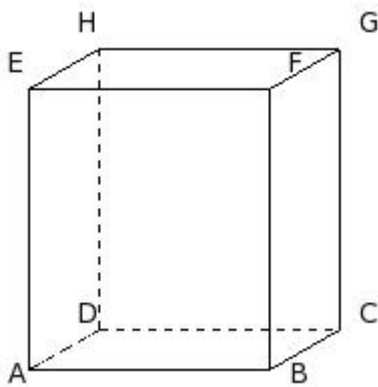
- (i) 925.00 sq.cm (ii) 912.00 sq.cm (iii) 896.00 sq.cm (iv) 927.00 sq.cm (v) 905.00 sq.cm

11. If the length, breadth and volume of a cuboid are 14.00 cm, 10.00 cm and 2240.00 cu.cm respectively, its L.S.A is



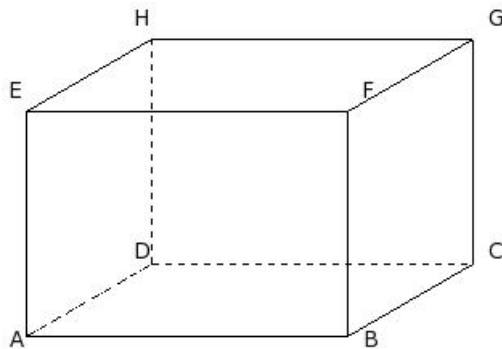
- (i) 784.00 sq.cm (ii) 762.00 sq.cm (iii) 768.00 sq.cm (iv) 780.00 sq.cm (v) 745.00 sq.cm

12. If the length, breadth and volume of a cuboid are 12.00 cm, 8.00 cm and 1344.00 cu.cm respectively, its T.S.A is



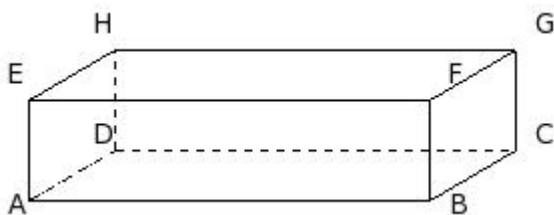
- (i) 736.00 sq.cm (ii) 764.00 sq.cm (iii) 768.00 sq.cm (iv) 727.00 sq.cm (v) 752.00 sq.cm

13. If the length, height and L.S.A of a cuboid are 20.00 cm, 14.00 cm and 1064.00 sq.cm respectively, its T.S.A is



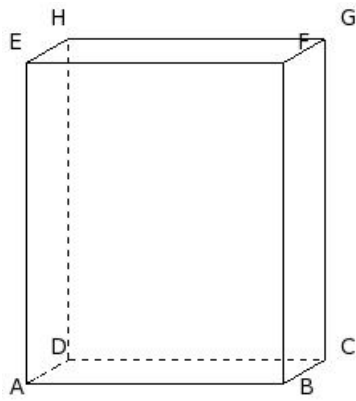
- (i) 1904.00 sq.cm (ii) 1784.00 sq.cm (iii) 1634.00 sq.cm (iv) 1514.00 sq.cm (v) 2044.00 sq.cm

14. If the length, height and T.S.A of a cuboid are 20.00 cm, 5.00 cm and 700.00 sq.cm respectively, its L.S.A is



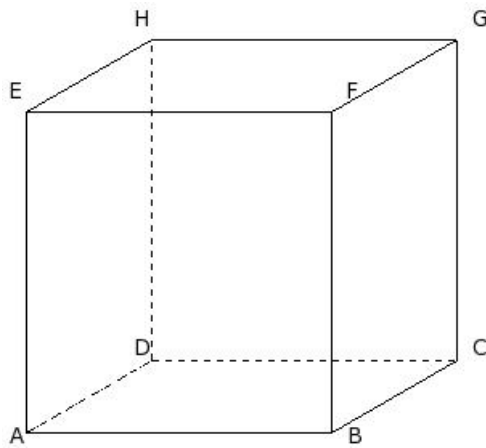
- (i) 284.00 sq.cm (ii) 305.00 sq.cm (iii) 272.00 sq.cm (iv) 318.00 sq.cm (v) 300.00 sq.cm

15. If the length, height and volume of a cuboid are 16.00 cm, 20.00 cm and 1920.00 cu.cm respectively, its L.S.A is



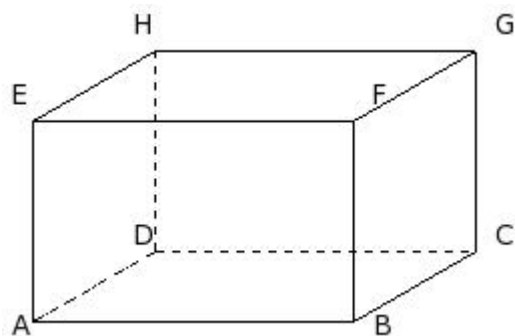
- (i) 887.00 sq.cm (ii) 862.00 sq.cm (iii) 895.00 sq.cm (iv) 880.00 sq.cm (v) 876.00 sq.cm

16. If the length, height and volume of a cuboid are 19.00 cm, 20.00 cm and 6840.00 cu.cm respectively, its T.S.A is



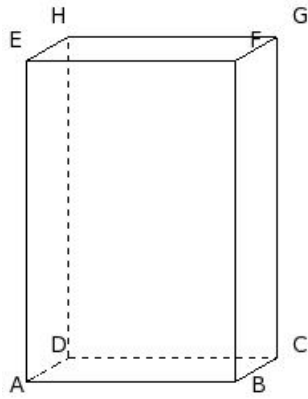
- (i) 2414.00 sq.cm (ii) 2164.00 sq.cm (iii) 2204.00 sq.cm (iv) 1934.00 sq.cm (v) 2134.00 sq.cm

17. If the breadth, height and L.S.A of a cuboid are 14.00 cm, 10.00 cm and 600.00 sq.cm respectively, its T.S.A is



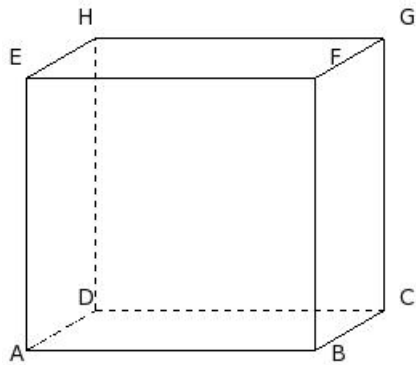
- (i) 1168.00 sq.cm (ii) 1048.00 sq.cm (iii) 928.00 sq.cm (iv) 898.00 sq.cm (v) 1218.00 sq.cm

18. If the breadth, height and volume of a cuboid are 5.00 cm, 8.00 cm and 360.00 cu.cm



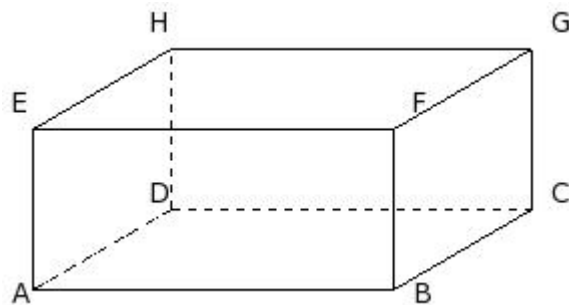
- (i) 23.00 cm (ii) 15.00 cm (iii) 17.00 cm (iv) 25.00 cm (v) 20.00 cm

22. If the length, breadth and T.S.A of a cuboid are 18.00 cm, 10.00 cm and 1312.00 sq.cm respectively, its height is



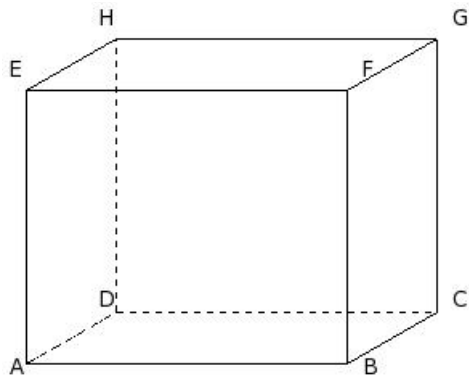
- (i) 12.00 cm (ii) 17.00 cm (iii) 22.00 cm (iv) 20.00 cm (v) 14.00 cm

23. If the length, breadth and volume of a cuboid are 18.00 cm, 16.00 cm and 2304.00 cu.cm respectively, its height is



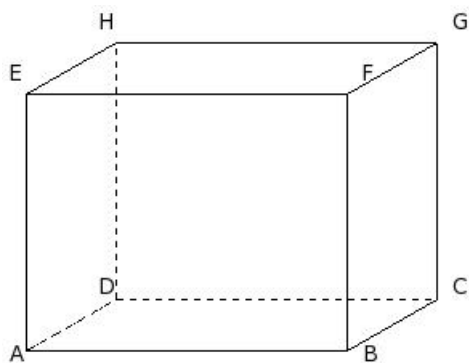
- (i) 6.00 cm (ii) 10.00 cm (iii) 8.00 cm (iv) 9.00 cm (v) 7.00 cm

24. If the length, height and L.S.A of a cuboid are 20.00 cm, 17.00 cm and 1122.00 sq.cm respectively, its breadth is



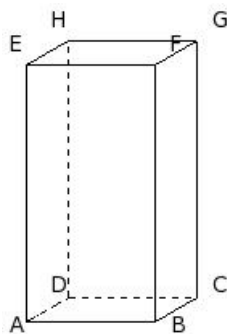
- (i) 16.00 cm (ii) 10.00 cm (iii) 8.00 cm (iv) 18.00 cm (v) 13.00 cm

25. If the length, height and T.S.A of a cuboid are 20.00 cm, 16.00 cm and 1576.00 sq.cm respectively, its breadth is



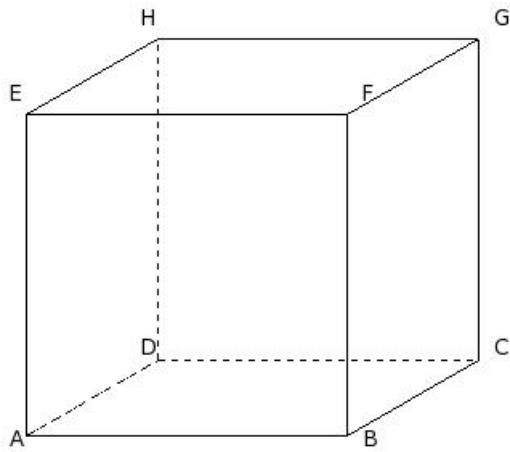
- (i) 18.00 cm (ii) 13.00 cm (iii) 16.00 cm (iv) 8.00 cm (v) 10.00 cm

26. If the length, height and volume of a cuboid are 8.00 cm, 16.00 cm and 768.00 cu.cm respectively, its breadth is



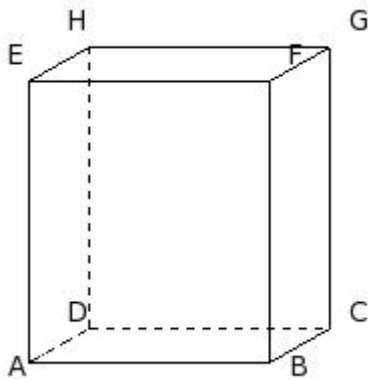
- (i) 5.00 cm (ii) 8.00 cm (iii) 4.00 cm (iv) 6.00 cm (v) 7.00 cm

27. If the breadth, height and L.S.A of a cuboid are 19.00 cm, 20.00 cm and 1560.00 sq.cm respectively, its length is



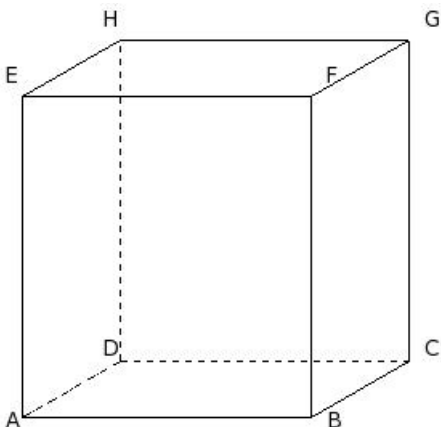
- (i) 15.00 cm (ii) 17.00 cm (iii) 23.00 cm (iv) 25.00 cm (v) 20.00 cm

28. If the breadth, height and T.S.A of a cuboid are 7.00 cm, 14.00 cm and 700.00 sq.cm respectively, its length is



- (i) 17.00 cm (ii) 12.00 cm (iii) 15.00 cm (iv) 9.00 cm (v) 7.00 cm

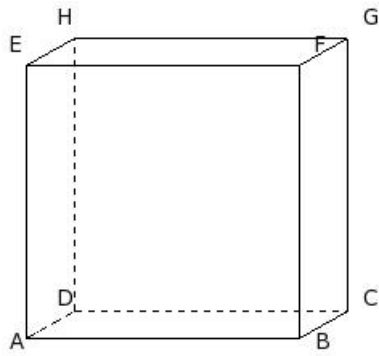
29. If the breadth, height and T.S.A of a cuboid are 14.00 cm, 20.00 cm and 1784.00 sq.cm respectively, its L.S.A is



- (i) 1200.00 sq.cm (ii) 1280.00 sq.cm (iii) 1320.00 sq.cm (iv) 1440.00 sq.cm (v) 1110.00 sq.cm

30. If the breadth, height and volume of a cuboid are 7.00 cm, 17.00 cm and 2023.00 cu.cm

respectively, its length is



- (i) 14.00 cm (ii) 22.00 cm (iii) 20.00 cm (iv) 12.00 cm (v) 17.00 cm
-

Assignment Key

- 1) (iv)
- 2) (ii)
- 3) (iii)
- 4) (iii)
- 5) (iii)
- 6) (v)
- 7) (v)
- 8) (ii)
- 9) (ii)
- 10) (ii)
- 11) (iii)
- 12) (v)
- 13) (ii)
- 14) (v)
- 15) (iv)
- 16) (ii)
- 17) (ii)
- 18) (i)
- 19) (iii)
- 20) (iii)
- 21) (v)
- 22) (ii)
- 23) (iii)
- 24) (v)
- 25) (ii)
- 26) (iv)
- 27) (v)
- 28) (ii)
- 29) (ii)
- 30) (v)